

FactoryLink  
**50 FREE FLYERS**  
**PERSONALIZED**

**factorylink.com**

YOUR COMPANY LOGO & CONTACT **HERE**

SALES SUPPORT & SERVICE  
**(740) 392-0330**



SWISS-TYPE & CNC LATHE AUTOMATION SOLUTIONS

# iSpeed3 Series

**One Piece Type**

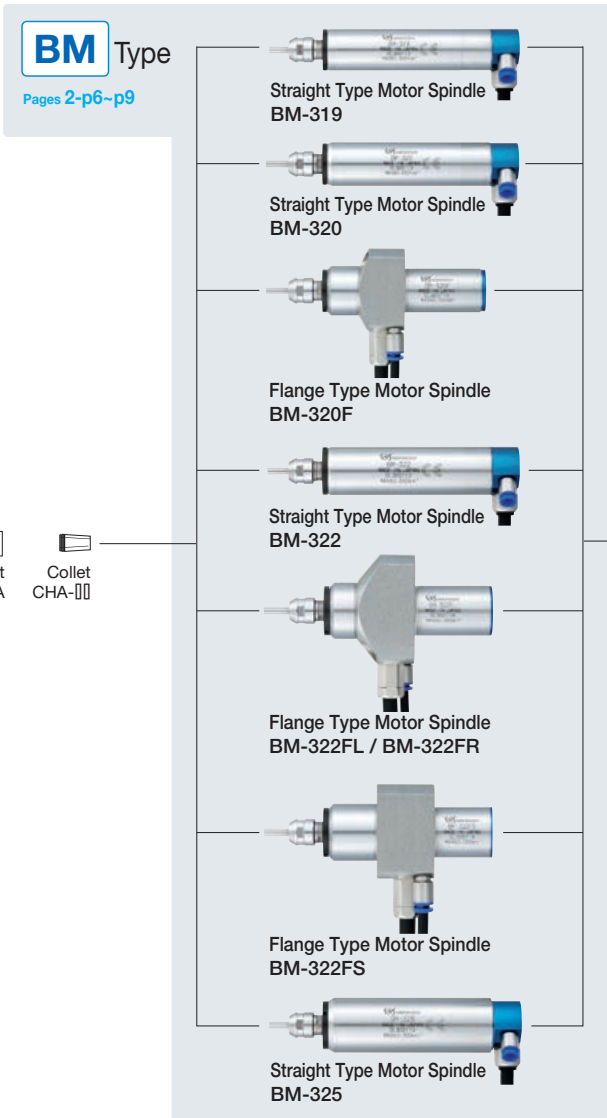
## Features

- Maximum 60,000 / 80,000 min-1 (rpm)
- Maximum Motor Power Output 140W / 150W
- Air-Cooled Motor to minimize heat buildup for continuous operation
- Spindle Accuracy within 1 um (TIR)
- Hardened and Precision Ground for Excellent Durability
- Simple screw-lock connector makes changing motors extremely easy

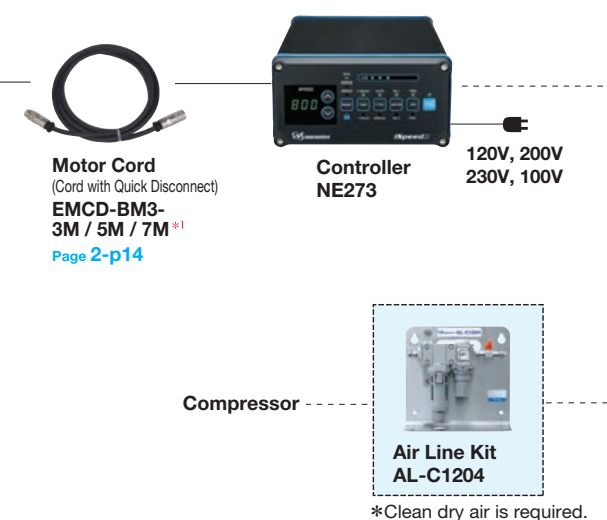
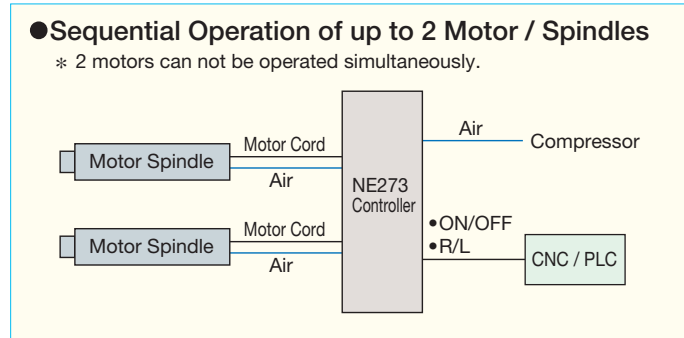
**Outside Diameter** Ø0.75", Ø0.79", Ø0.87" and Ø0.98"  
 (Ø19.05, Ø20, Ø22 and Ø25 mm)

1,000 ~ 80,000 min-1 (rpm)  
 Output 140W / 150W

- Short spindle length is suitable for compact sized automatic CNC lathes
- The iSpeed series have sensorless motors and are equipped with super precision hybrid ceramic bearings for long spindle life.



### Automatic Control System Chart



SWISS-TYPE & CNC LATHE AUTOMATION SOLUTIONS

# iSpeed3 Series

**BM** Straight Type with Quick Disconnect  
Features

- Straight Type Motor/Spindle with pigtail for motor cords with quick-disconnect.
- Flange type motor spindles also available for machines with tool block with a blind hole.
- O.D. sizes for all Swiss type machines

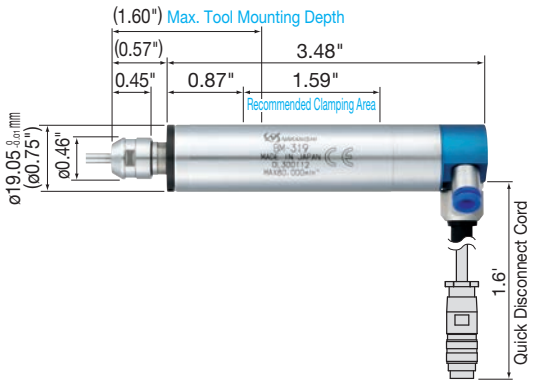
FactoryLink  
**50 FREE FLYERS**  
PERSONALIZED

factorylink.com  
YOUR COMPANY LOGO & CONTACT HERE  
SALES SUPPORT & SERVICE (740) 392-0330



**CAT No. 7626 STRAIGHT TYPE MOTOR SPINDLE BM-319 80,000 min<sup>-1</sup>(rpm)**

Outside Diameter **Ø0.75" (Ø19.05"mm)**



- Motor Speed 1,000~80,000 min<sup>-1</sup>(rpm)
- Spindle Accuracy Within 1 µm
- Max Output Power 140W
- Standard Size Collet (CHA-3.175) Ø1/8"
- Weight 7.41 oz.

<Optional>

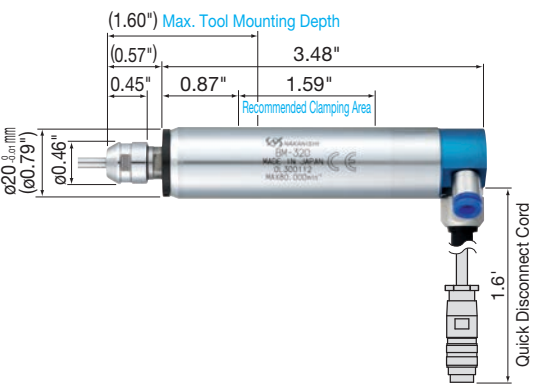
- Collet (CHA-XX) Ø0.5 mm~Ø4.0 mm (See Page 6-p2 for details)
- Motor Cord Length 10 ft, 16 ft, 22 ft

**Straight Type Motor Spindle Ø0.75" (Ø19.05 mm)**

CAT No.	Model	Standard Equipment	Price
<b>7626</b>	<b>BM-319</b>	<ul style="list-style-type: none"> <li>• Collet Ø1/8" (CHA-3.175) : 1 pc</li> <li>• Collet Nut (CHN-A) : 1 pc</li> <li>• Wrench (8 x 5), (9, 11) : 1 pc ea</li> </ul>	\$2,646.00

**CAT No. 7628 STRAIGHT TYPE MOTOR SPINDLE BM-320 80,000 min<sup>-1</sup>(rpm)**

Outside Diameter **Ø0.79" (Ø20"mm)**



- Motor Speed 1,000~80,000 min<sup>-1</sup>(rpm)
- Spindle Accuracy Within 1 µm
- Max Output Power 140W
- Standard Size Collet (CHA-3.175) Ø1/8"
- Weight 8.11 oz.

<Optional>

- Collet (CHA-XX) Ø0.5 mm~Ø4.0 mm (See Page 6-p2 for details)
- Motor Cord Length 10 ft, 16 ft, 22 ft

**Straight Type Motor Spindle Ø0.75" (Ø19.05 mm)**

CAT No.	Model	Standard Equipment	Price
<b>7628</b>	<b>BM-320</b>	<ul style="list-style-type: none"> <li>• Collet Ø1/8" (CHA-3.175) : 1 pc</li> <li>• Collet Nut (CHN-A) : 1 pc</li> <li>• Wrench (8 x 5), (9, 11) : 1 pc ea</li> </ul>	\$2,646.00

**Note: Motor Cords are sold separately.**