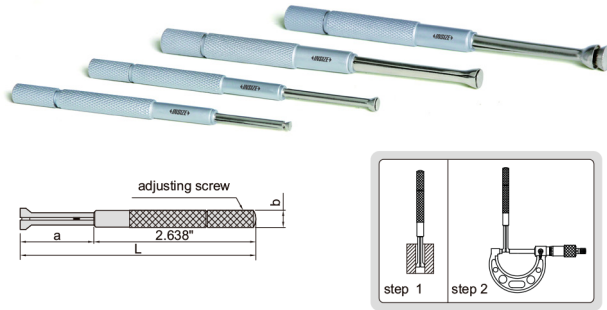


HOLE, SLOT & GROOVE GAGE SETS

SMALL HOLE GAGE SET

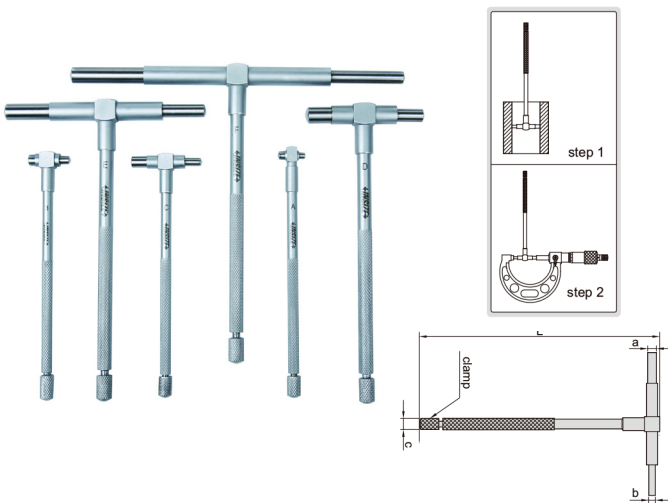


- ▶ For small holes, slots and grooves
- ▶ Satin chrome finish
- ▶ 4 piece set:

Range	L	a	b
0.125 ~ 0.2"	3.543"	0.886"	0.217" ϕ
0.2 ~ 0.3"	3.843"	1.181"	0.271" ϕ
0.3 ~ 0.4"	4.047"	1.378"	0.335" ϕ
0.4 ~ 0.5"	4.252"	1.575"	0.335" ϕ

Part # 4208-1
\$25.40

TELESCOPING GAGE SET

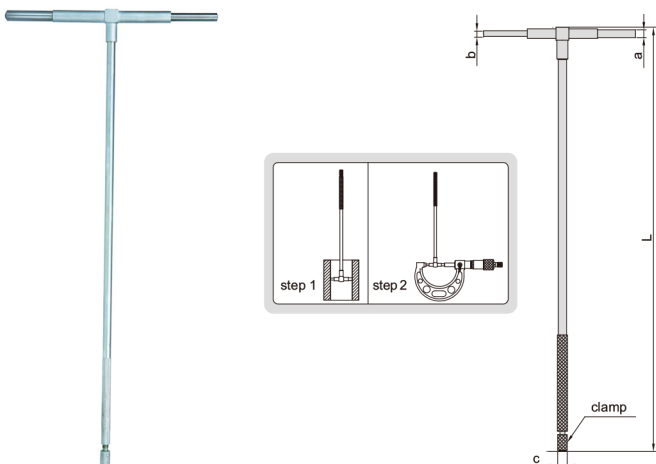


- ▶ For quick measurement of inside diameter of holes and width of slots
- ▶ Satin chrome finish
- ▶ 6 piece set:

Range	L	a	b	c
5/16~1/2"	4.528"	0.154" ϕ	0.114" ϕ	0.244" ϕ
1/2~3/4"	4.528"	0.209" ϕ	0.150" ϕ	0.244" ϕ
3/4~1-1/4"	4.528"	0.209" ϕ	0.150" ϕ	0.244" ϕ
1-1/4~2-1/8"	5.394"	0.299" ϕ	0.240" ϕ	0.283" ϕ
2-1/8~3-1/2"	5.394"	0.299" ϕ	0.240" ϕ	0.283" ϕ
3-1/2~6"	5.394"	0.299" ϕ	0.240" ϕ	0.283" ϕ

Part # 4206-1
\$40.60

LONG HANDLE TELESCOPING GAGE



Item #	Range	L	a	b	c	Price
4209-1	5/16~1/2"	9.843"	0.154" ϕ	0.114" ϕ	0.244" ϕ	\$11.10
4209-2	1/2~3/4"	9.843"	0.209" ϕ	0.150" ϕ	0.244" ϕ	\$11.10
4209-3	3/4~1-1/4"	9.843"	0.209" ϕ	0.150" ϕ	0.244" ϕ	\$11.10
4209-4	1-1/4~2-1/8"	11.811"	0.299" ϕ	0.240" ϕ	0.283" ϕ	\$12.90
4209-5	2-1/8~3-1/2"	11.811"	0.299" ϕ	0.240" ϕ	0.283" ϕ	\$12.90
4209-6	3-1/2~6"	11.811"	0.299" ϕ	0.240" ϕ	0.283" ϕ	\$12.90

- ▶ For quick measurement of inside diameter of deep holes and width of slots
- ▶ Satin chrome finish

Tools come serialized, traceable to NIST with a full, one year warranty.

SATISFACTION GUARANTEED!

www.insizeus.com